

DHI-NVR2108HS-8P-S2

8 Channel Compact 1U 4PoE Lite Network Video Recorder



- H.264+/H.264 codec decoding
- Max 80Mbps incoming bandwidth
- Up to 6Mp resolution preview&playback
- HDMI/VGA simultaneous video output
- Support IPC UPnP, 8PoE ports
- 3D intelligent positioning with Dahua PTZ camera



System Overview

Dahua's NVR2000-S2 is one of the NVRs which have the most reasonable price and best quality for IP video surveillance applications. This Lite series NVR provides up to 6MP resolution. It supports smart H.264 decoding, save up to 70% HDD space and storage. Additionally, the NVR features a mouse shortcut operation menu, remote management and control, centre storage, edge storage, and back up storage.

Designed as a low-cost, easy installation, this NVR is ideal for a wide range of applications such as home safety, grocery, warehouse, education, and financial institutions.

The NVR is compatible with numerous third-party devices making it the perfect solution for surveillance systems with or without a video management system (VMS). Its open architecture supports multi-user access and is compatible with ONVIF 2.4, enabling interoperability when combined with IP cameras.

Functions

Smart H.264+

Delivering high quality video without straining the network, Smart H.264+ is the optimized implementation of H.264. The Smart H.264+ encoding platform includes a scene adaptive encoding strategy, dynamic GOP, dynamic ROI, flexible multi-frame reference structure and intelligent noise reduction, providing a savings of up to 70% of bandwidth and storage when compared with standard H.264.

Plug & Play

With the Smart Add function, the installation of IP system is as easy as an analog system, no matter the NVR with or without a PoE switch embedded. It should be noted that the NVR has to be in the same router as cameras.

ANR (Automatic Network Replenishment Technology)

Video record in SD card in IP cameras when the network breaks down, and after the network recovered, the video will be transferred to NVR and then recorded in it.

Easy4ip

You can monitor at anytime and anywhere with Easy4ip. There are two modes Easy4ip web client and mobile app. With this function, you can manage your devices more convenient.

Technical Specification

System

Main Processor	Dual-core embedded processor
Operating System	Embedded LINUX

Audio and Video

IP Camera Input	8 Channel
Two-way Talk	1 Channel Input, 1 Channel Output, RCA

Display

Interface	1 HDMI, 1 VGA
Resolution	1920×1080, 1280×1024, 1280×720, 1024×768
Multi-screen Display	1/4/8/9
OSD	Camera title, Time, Camera lock, Motion detection, Recording

Recording

Compression	H.264+/H.264
Resolution	6Mp/5Mp/4Mp/3Mp/1080P/ 720P/ D1&etc.
Record Rate	80Mbps
Bit Rate	16Kbps ~ 20Mbps Per Channel
Record Mode	Manual, Schedule(Regular(Continuous), MD, Stop
Record Interval	1~120 min (default: 60 min), Pre-record: 1~30 sec, Post-record: 10~300 sec

Video Detection and Alarm

Trigger Events	Recording, PTZ, Tour, Video Push, Snapshot, and Screen Tips
Video Detection	Motion Detection, MD Zones: 396 (22 × 18), and Tampering
Alarm input	N/A
Relay Output	N/A

Playback and Backup

Sync Playback	1/4/8
Search Mode	Time /Date, MD and Exact Search (accurate to second)
Playback Function	Play, Pause, Stop, Rewind, Fast play, Slow Play, Next File, Previous File, Next Camera, Previous Camera, Full Screen, Repeat, Shuffle, Backup Selection, Digital Zoom
Backup Mode	USB Device/Network

Third-party Support

Third-party Support	Dahua, Arecont Vision, AXIS, Bosch, Brickcom, Canon, CP Plus, Dynacolor, Honeywell, Panasonic, Pelco, Samsung, Sanyo, Sony, Videotec, and more
---------------------	--

Network

Interface	1 RJ-45 port (10/100Mbps)
Ethernet Port	1 Independent 100Mbps Ethernet Port
PoE	8 ports (IEEE802.3at/af)
Network Function	HTTP, TCP/IP, IPv4/IPv6, RTSP, UDP, NTP, DHCP, DNS, IP Filter, DDNS, IP Search(Support Dahua IP camera, DVR, NVS and etc.), Easy4ip
Optical Fiber Interface	N/A
Max. User Access	128 users
Smart Phone	iPhone, iPad, Android
Interoperability	ONVIF 2.4, CGI Conformant

Storage

Internal HDD	1 SATA III Port, up to 6TB capacity for each HDD
HDD Mode	Single
eSATA	N/A

Auxiliary Interface

USB	2 ports (1 Rear USB2.0, 1 Front USB2.0)
RS232	N/A
RS485	N/A

Electrical

Power Supply	Single, DC48V/2A
Power Consumption	<4.5W (without HDD)

Environmental

Operating Conditions	-10°C ~ +55°C (+14°F ~ +131°F), 86 ~ 106kpa
Storage Conditions	-20°C ~ +70°C (-4°F ~ +158°F), 0 ~ 90% RH

Construction

Dimensions(W×D×H)	Compact 1U, 260mm×224.9mm×47.6mm (10.2" x 8.9" x 1.9")
Net Weight	0.8kg (1.76 lb) (without HDD)
Gross Weight	1.6kg(3.53 lb)(without HDD)

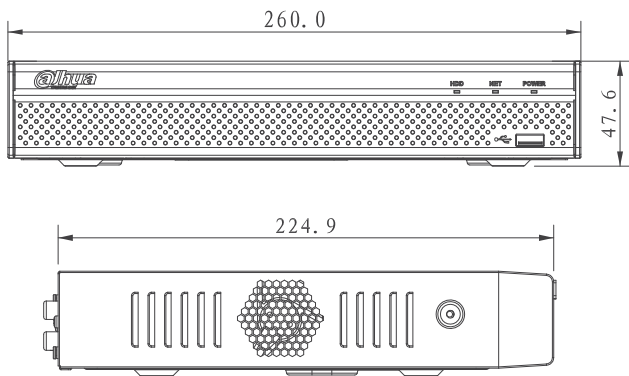
Certifications

CE	EN55032, EN55024, EN50130-4, EN60950-1
FCC	Part 15 Subpart B, ANSI C63.4-2014

Ordering Information

Type	Part Number	Description
8 Channel NVR	DHI-NVR2108HS-8P-S2	8 Channel Compact 1U 8PoE Lite Network Video Recorder
Accessories	N/A	N/A

Dimensions (mm)





ASSISTA INFOCOMM & SECURITY PTE LTD

Office: 61 Kaki Bukit Avenue 1, # 05-40 Shun Li Industrial Park, Singapore 417943.

Tel: (65) 6744 3178 Fax: (65) 6729 6748

Showroom: 11 Woodlands Close #09-23 Woodlands 11 Singapore 737853.

Tel: (65) 6337 2148 (Hotline Available 9am - 9pm Singapore Time, 7 days a week)

Assista InfoComm & Security Pte Ltd places value creation at the core. Assista assists organizations and individuals to improve daily operations and enhance living through the applications and promotions of InfoComm & Security Technologies. The activities include international & domestic sales, marketing, development, installation, service, maintenance, consultation & training of InfoComm equipment, software & technologies related to the Infrastructure, Network & Physical Access Security.

Assista is better known as

- GPS/ CDMA Time & Frequency Solution Specialist
- CCTV Remote Viewing System Specialist
- High Definition Surveillance System Specialist
- Multi-Networked Advanced Door Access Control System Specialist
- Wired & Wireless Alarm Systems Installer
- IP-PBX & Key Telephone System Installer
- Professional Cabling Contractor for CCTV, Telephone & Computer Network Systems
- Security, IT & Telecommunications Systems Integrator
- Product Developer
- Importer & Exporter

**Alternatively, you may e-mail your enquiries to
info@assista.com.sg**