

# DHI-NVR4416/4432-16P-4KS2

16/32 Channel 1.5U 16PoE 4K&H.265 Lite Network Video Recorder



- H.265/H.264 codec decoding
- Max 200Mbps Incoming Bandwidth
- Up to 8MP Resolution for Preview and Playback
- Up to 2ch@4K/8ch@1080P decoding
- HDMI/VGA simultaneous video output
- Support IPC UPnP, 16PoE ports



## System Overview

Dahua NVR4000-4KS2 is introduced as the first Lite series NVR that supports for 4K and H.265 encoding technology with excellent performance at an affordable price. For applications where image details are highly required, it delivers the capability of 4K resolution processing. The NVR can be served as edge storage, central storage or backup storage with an intuitive shortcut operation menu for remote management and control.

Due to its cost-effective and easy-to-install design, this NVR is ideal for a wide range of applications such as public safety, water conservancy, transportation, city centers, education, and financial institutions.

The NVR is compatible with numerous third-party devices making it the perfect solution for surveillance systems that work independently of video management system (VMS). It features an open architecture that supports for multi-user access and is compatible with ONVIF 2.4 protocol, enabling interoperability with IP cameras.

## Functions

### 4K Resolution

4K resolution is a revolutionary breakthrough in image processing technology. 4K delivers four times the resolution of standard HDTV 1080p cameras and offers superior picture quality and image details. 4K resolution improves the clarity of a magnified scene to view or record crisp forensic video from large areas.

### High Efficiency Video Coding (H.265)

The H.265 (ITU-T VCEG) video compression standard offers double the data compression ratio at the same level of video quality, or substantially improved video quality at the same bit rate, as compared to older video compression technologies. H.265 offers such impressive compression by expanding the pattern comparison and difference-coding, improving motion vector prediction and motion region merging, and incorporating an additional filtering step called sample-adaptive offset filtering.

### Intelligent Video System

Working with IVS-enabled IP cameras, the NVR recognizes and records video that contains IVS data on all IP channels. The NVR records standard intelligence at-the-edge features, as well as premium IVS features that detect abandoned or missing objects, Tripwire violations, and intrusion violations. The NVR is also capable of recording business analysis data – Facial Detection, People Counting, and Heat Map – from IP cameras with built-in Intelligent Business Analytics.

### ANR (Automatic Network Replenishment Technology)

Network Video Recorders with the ANR function automatically store video data on an IP camera SD card when the network is disconnected. After recovery of the network, the NVR automatically retrieves the video data stored on the camera.

### Easy4ip

The Easy4ip app is available on the iOS App Store and Google Play. It makes surveillance easy and simple, allowing you to remotely access NVR devices, view live video, receive event push notifications, and search for recorded videos from an iPhone, iPad, or Android phone at anytime from virtually anywhere!

## Technical Specification

### System

Main Processor	Quad-core embedded processor
Operating System	Embedded LINUX

### Audio and Video

IP Camera Input	16/32 Channel
Two-way Talk	1 Channel Input, 1 Channel Output, RCA

### Display

Interface	1 HDMI, 1 VGA
Resolution	HDMI: 3840×2160, 1920×1080, 1280×1024, 1280×720
	VGA: 1920×1080, 1280×1024, 1280×720
Decoding Capacity	2ch@4K 30fps, 8ch@1080P 30fps
Multi-screen Display	16CH: 1/4/8/9/16
	32CH: 1/4/8/9/16/25/36
OSD	Camera title, Time, Camera lock, Motion detection, Recording

### Recording

Compression	H.265/ H.264
Resolution	8Mp/ 6Mp/ 5MP/ 4MP/ 3MP/ 1080P/ 1.3MP/ 720P etc.
Record Rate	200Mbps
Bit Rate	16Kbps ~ 20Mbps Per Channel
Record Mode	Manual, Schedule (Regular, Continuous), MD (Video detection: Motion Detection, Tampering, Video Loss), Stop
Record Interval	1 ~ 120 min (default: 60 min), Pre-record: 1 ~ 30 sec, Post-record: 10 ~ 300 sec

### Video Detection and Alarm

Trigger Events	Recording, PTZ, Tour, Video Push, Email, Snapshot, Buzzer and Screen Tips
Video Detection	Motion Detection, MD Zones: 396 (22 × 18), Video Loss and Tampering
Alarm input	16 Channel
Relay Output	4 Channel

### Playback and Backup

Playback	1/4/9/16
Search Mode	Time /Date, MD and Exact Search (accurate to second), Smart search
Playback Function	Play, Pause, Stop, Rewind, Fast play, Slow Play, Next File, Previous File, Next Camera, Previous Camera, Full Screen, Backup Selection, Digital Zoom
Backup Mode	USB Device/Network

### Third-party Support

Third-party Support	Arecont Vision, Airlive, AXIS, Canon, Dynacolor, JVC, LG, Panasonic, Pelco, PSIA, Samsung, Sanyo, Sony, Watchnet and more
---------------------	---

### Network

Interface	1 RJ-45 Port(10/100/1000Mbps)
PoE	16 ports (IEEE802.3af/at)
Network Function	HTTP, HTTPS, TCP/IP, IPv4/IPv6, UPnP, RTSP, UDP, SMTP, NTP, DHCP, DNS, IP Filter, PPPoE, DDNS, FTP, SNMP, IP Search (Support Dahua IP camera, DVR, NVS, etc.), Easy4ip
Max. User Access	128 users
Smart Phone	iPhone, iPad, Android
Interoperability	ONVIF 2.4, SDK, CGI

### Storage

Internal HDD	4 SATA III Ports, Up to 6 TB capacity for each HDD
HDD Mode	Single

### Auxiliary Interface

USB	2 ports(1 USB2.0, 1 USB3.0)
RS232	1 Port, for PC Communication and Keyboard
RS485	1 Port, for PTZ Control

### Electrical

Power Supply	AC100V ~ 240V, 50 ~ 60 Hz
Power Consumption	NVR: <13.7W (Without HDD)
	PoE: Max 25.5w for single port, 150w in total

### Environmental

Operating Conditions	-10°C ~ +55°C (+14°F ~ +131°F), 86 ~ 106kpa
Storage Conditions	-20°C ~ +70°C (-4°F ~ +158°F), 0 ~ 90% RH

### Construction

Dimensions	1.5U, 440mm×411.1mm×76mm (17.3" x 16.2" x 3.0")
Net Weight	4.7kg (10.4lb) (without HDD)
Gross Weight	7.5kg(16.5 lb)(without HDD)

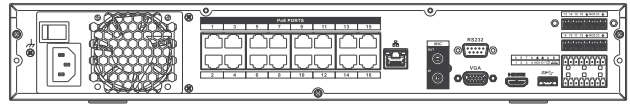
### Certifications

CE	EN55032, EN55024, EN50130-4, EN60950-1
FCC	Part 15 Subpart B, ANSI C63.4-2014
UL	UL60950-1

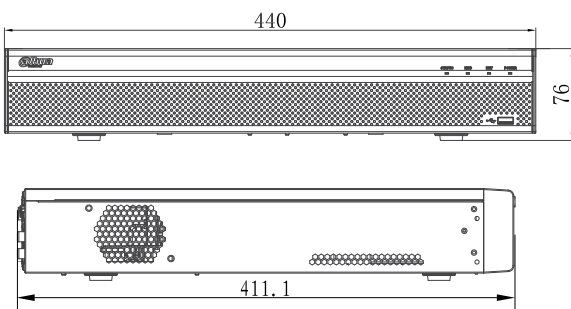
**Ordering Information**

Type	Part Number	Description
16 Channel NVR	DHI-NVR4416--16P-4KS2	16 Channel 1.5U 16PoE 4K&H.265 Lite Network Video Recorder
32 Channle NVR	DHI-NVR4432-16P-4KS2	32 Channle 1.5U 16PoE 4K&H.265 Lite Network Video Record

**Rear Panel**



**Dimensions (mm)**





**ASSISTA INFOCOMM & SECURITY PTE LTD**

Office: 61 Kaki Bukit Avenue 1, # 05-40 Shun Li Industrial Park, Singapore 417943.

Tel: (65) 6744 3178 Fax: (65) 6729 6748

Showroom: 11 Woodlands Close #09-23 Woodlands 11 Singapore 737853.

**Tel: (65) 6337 2148 (Hotline Available 9am - 9pm Singapore Time, 7 days a week)**

Assista InfoComm & Security Pte Ltd places value creation at the core. Assista assists organizations and individuals to improve daily operations and enhance living through the applications and promotions of InfoComm & Security Technologies. The activities include international & domestic sales, marketing, development, installation, service, maintenance, consultation & training of InfoComm equipment, software & technologies related to the Infrastructure, Network & Physical Access Security.

Assista is better known as

- GPS/ CDMA Time & Frequency Solution Specialist
- CCTV Remote Viewing System Specialist
- High Definition Surveillance System Specialist
- Multi-Networked Advanced Door Access Control System Specialist
- Wired & Wireless Alarm Systems Installer
- IP-PBX & Key Telephone System Installer
- Professional Cabling Contractor for CCTV, Telephone & Computer Network Systems
- Security, IT & Telecommunications Systems Integrator
- Product Developer
- Importer & Exporter

**Alternatively, you may e-mail your enquiries to  
[info@assista.com.sg](mailto:info@assista.com.sg)**